

LECTURA special construction branch publications

Market overview – Price-guide – Valuation

Available for Construction machinery, Forklifts, Aerial work platforms, Cranes, Loader Cranes, Construction equipment, Municipal machinery, Agricultural machinery, Recycling.

Features:

- New and second hand prices for over 75.000 machinery types
- Second hand prices of the last 15 years
- Calculation help
- Available in 6 languages

You have the choice of printed book, Online- and PDA-Version.



Directory of manufactures and dealers in China

Directory of Chinese manufactures for the sectors of construction machinery, forklift trucks and agricultural machinery



Online Dictionary

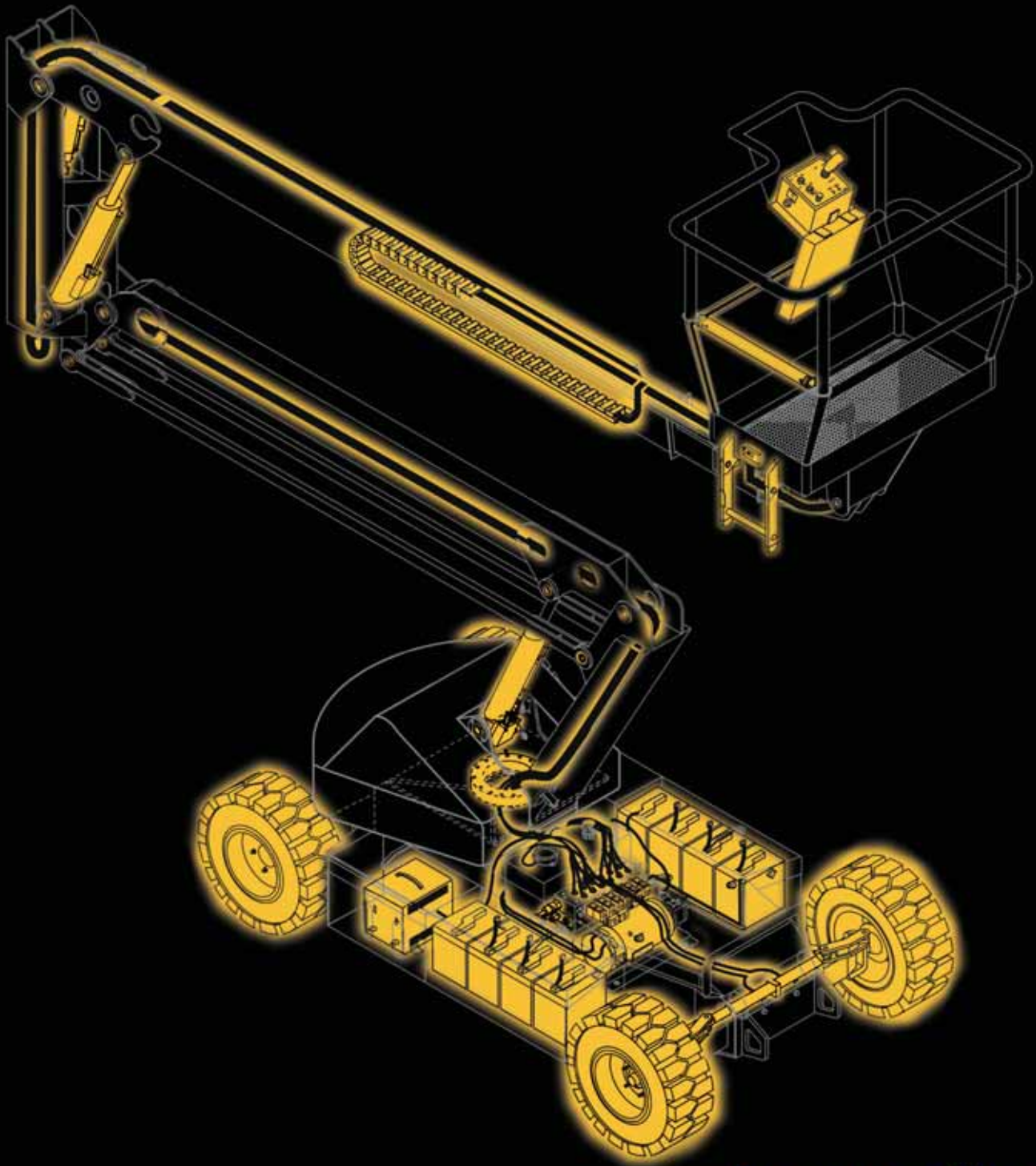
Special dictionary with machine vocabulary in 9 languages



www.lectura.de

Negotiate successfully – decide securely and well!

For all your parts... there's IPS online



ipspartsonline.com

IPS online gives you fast and easy access to a number of services allowing you to order parts on-line, check stock availability and view our latest special offers.



IPS online 
the easy way to **access parts**

IPS UK +44 (0) 1952 607660

IPS France +33 (0) 557 24 72 11

IPS Scandinavia +358 (0) 9871 4400

IPS Australia +61 (0) 7 3902 0681

Modulift®

The Modulift System - a complete range of spreader systems made up of bolt-together components offering assembled lengths from 8" to 170ft with capacities of 2 tons to 5000 tons.



Modulift solves all your spreader requirements...

...the cost effective solution.

Modulift
NOW AVAILABLE
IN THE USA

Contact us at **+44(0)7921 141 859** or info@modulift.co.uk www.modulift.co.uk

Supply of used cranes from 25 - 800 tons

HAC Cranes GmbH & Co. KG

Tel. +49-4231-9821190 Fax: +49-4231-9821199

E-Mail: hac@hac-germany.com

Internet: www.hac-cranes.com



Supply of spare parts and crane repairs

HANSEATIC Commerz GmbH & Co. KG

Tel. +49-4231-9821180 Fax: +49-4231-9821189

E-Mail: info@hac-commerz.com

Internet: www.hac-commerz.com





BEST PARTS & MACHINERY YOUR NUMBER ONE SUPPLIER OF CRANES, CRANE PARTS AND MAINTENANCE

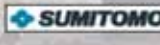
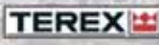
MACHINERY MAINTENANCE

Best Parts & Machinery B.V.
De Gorzen 4
4731 TV Oudenbosch
The Netherlands

At Best Parts we combine an experienced sales and engineering staff with an excellent customized manufacturing facility, quality workmanship and a readily available supply of spare parts to assist you in any way.

Best Parts & Machinery is official supplier for:
**TEREX, P&H, AMERICAN CRANE, SUMITOMO-HITACHI,
MANITOWOC, AND LINK-BELT PARTS**

**Biggest parts stock in Europe, AMERICAN, SUMITOMO,
LINK-BELT, MANITOWOC**



Tel.: +31(0) 165 33 22 22 Fax: +31(0) 165 33 11 20 E-mail: info@bestparts.nl www.bestparts.nl

WELEX: SPECIALIST IN EKKI MATS

Wellex is one of the oldest European companies concerned with the import and export of hardwoods and manufacturing ekki mats.

For many years we have been providing companies throughout the world with ekki mats for construction work, crane gantries, pipeline installations and bridge building.



**FOR SALE
FOR HIRE**

By manufacturing the mats ourselves we are able to work in an extremely cost efficient manner. We can carry out the transport, laying out and picking up of the mats for your project.

As you can see from the above, we can be of service to you in many ways. We are also pleased to assist you by providing advice and management consultancy.



Welex, Heicopperweg 38A, 4128 LP Lexmond, Holland
Phone +31(0) 347-341 215, fax +31(0) 347 342 363
E-mail: welex@welex.nl, website: www.welex.nl

This is just a small selection of our stock



JLG 450AJ
Year 2004
Working height 15.72 m



JLG 510AJ
Year 2004
Working height 17.81 m



JLG 600AJ
Year 2002
Working height 20.29 m



JLG 1200SJP
Year 2004
Working height 38.58 m



JLG 800AJ
Year 2002
Working height 26.38 m



JLG 3246 ES
Year 2004
Working height 11.68 m



JLG 460SJ
Year 2002
Working height 16.02 m



UpRight TM 12
Year 2004
Working height 5.80 m

Please do not hesitate to contact us as our stock changes on a daily basis.
We also have new machinery in stock, ALL major brands available.



UpRight

Only a 10 minutes drive
from Schiphol  Airport

INSTANT

HOLLAND

The address for rental and sale of Aerial platforms and Scaffolding

If You require more information call on +31 20 449 69 99
or visit www.instant-holland.nl



FORKLIFT
DIVISION



PARTS
DIVISION



HANDLING
EQUIPMENT
DIVISION



RENTAL
EQUIPMENT
DIVISION



SERVICE &
REPAIR
DIVISION



AERIAL PLATFORM PARTS

Send us your list with fast moving items and we make a quotation
150 000 references available
JLG, Genie, Haulotte, Upright, Skyjack, Diché, Grove, Dino Lift, Niftylift,...

RESPONSIBLE PURCHASE & SALES
BERNARD VANDROMME

TEL **+32 477 30 62 50**
FAX **+32 56 43 45 61**
E-MAIL **bernard.vandromme@tvh.com**

CATALOGUES:

Parts Suitable for JLG
REF12613028

Parts Suitable for Genie
REF12611647



TOTALSOURCE[®]
Parts and Accessories

USED AERIAL PLATFORMS

200 used machines in stock
JLG, Genie, Haulotte, Upright, Skyjack,
Diché, Grove, Dino Lift, Niftylift,...

RESPONSIBLE PURCHASE & SALES
WIM CARLIER

TEL **+32 56 43 45 79**
FAX **+32 56 43 43 45**
E-MAIL **wim.carlier@tvh.com**



We are continuously looking for
**PURCHASE
& SALES**
of aerial platforms
CONTACT US NOW!!!

AERIAL PLATFORMS & PARTS



www.intermat.fr

Building the future

20 to 25 April 2009

Paris-Nord Exhibition Centre - France

6 days to meet the entire construction world

INTERMAT 2009
Immeuble le Wilson
70, avenue du Général de Gaulle
92058 PARIS LA DEFENSE CEDEX - FRANCE
E-mail : intermat@intermat.fr - <http://www.intermat.fr>

INTERMAT, an exhibition organised
by the EXPOSIUM Network 
www.exposium.fr

Quality Used Access Machinery For Sale

- 30 years experience in the Access Industry
- Over 2,500 machines for sale
- All machines CE marked



Genie S125
Telescopic boom
40.1m - 2003/4/5/6



Genie Z135/80
Articulated Boom
43.1m - 2006/7



Genie GS5390
Diesel scissors
18.5m - 2005/6/7



Manitou MT2150
Diesel teleporter
21m/5tons
2004/5



Falck Schmidt FS290
Specialised spider
29m - 2003

- Machines sold tested and certified
- Lead-times a fraction of the manufacturers
- Packages/special offers available

STOCK LIST

BATTERY SCISSORS 7.6 - 17.3m

Genie GS1932	7.6m	2004/5/6/7
Genie GS2032	7.9m	2004/5/6/7
Genie GS2632	9.9m	2004/5
Genie GS2646	9.9m	2004/5/6
Genie GS3246	11.7m	2004/5/6/7
Liflux 153-12	17.3m	2001/7

Diesel Scissors 11.5m - 22.5m

Skyjack SJ6832	11.5m	2004/5/6/7
Genie GS3384	12m	2005/6/7
Skyjack SJ7135	12.5m	2007
Skyjack SJ9250	17.1m	2007
Genie GS5390	18.5m	2005/6/7
Liflux 205-25	22.5m	1999

Battery Booms 9.4m - 13.5m

Genie Z25/8	9.4m	1999/2000
Genie Z30/20n	11.1m	2005/6
Genie Z34/22n	12.5m	2004/5/6
UpRight AB38	13.5m	2004/5/7

Diesel Booms 16m - 20.4m

Genie Z45/25 BI	16m	2002/3/4/5
Genie Z45/25RT	16m	2004/5/6/7
Genie S45	15.7m	2004/5/6/7
Genie Z51/30	17.6m	2007
Genie Z60/34	20.4m	2004/5/6/7

Diesel Booms 21.8m - 43.1m

Genie S65	21.8m	2001/4/5/6/7
Genie Z80/60	26.4m	2004/5/6/7
Genie S85	27.9m	2005/5/6/7
Genie S125	40.1m	2003/4/5/6/7
Genie Z135/70	43.1m	2006/7

Specialised Access 12.2m - 42m

Nifty TD120 TN	12.2m	2007
Scanlift SL185	18.5m	2000
Scanlift SL190	19m	2001
Omme 2200RBD	21.8m	2004/6/7
Denka DL22n	22m	2001
Scanlift SL240	24m	2000/1/4
Falck Schmidt FS290	29m	2005
Falck Schmidt FS290C	29m	2005
Omme 3000RBD	29.7m	2004/6/7
Falck Schmidt FS370	37m	2005
Falck Schmidt FS420C	42m	2005

Telescopic Forklifts 4m - 21m

Manitou MT420	4m/2 ton	2002
Manitou SLT415	4m/1.5 ton	2002
Manitou MLT523	5m/2.3 ton	2004/5
Manitou MT932	9m/3.2 ton	2005
Manitou MT1030	10m/3 ton	2005
Manitou MT1335	13m/3.5 ton	2005
Manitou MT1740	17m/4 ton	2005
Manitou MRT2150	21m/5 ton	2005

Vehicle Mounted 13m - 50m

Large choice of:		
Simon S220/263/300		1987 - 1999
Bonto S34/46/50		2002 - 2005

Mini Cranes 2 - 3.5 tons

Maeda MC104 CRG	5.5m/1 ton	2006
Valla 20E	4.5m/2 ton	2003
Maeda MC285 CRME	8.7m/2.82 ton	2006
Maeda MC305 CRME	12.6m/2.93 ton	2006
Valla 35E	6.5m/3.5 ton	2003
Maeda MC405 CRM E	16.8m/3.83 ton	2007
Maeda LC785	16.35m/4.9 ton	2007

Coolquoy. The ward. Co
DUBLIN. Ireland

Tel: +353 (0)1 835 2835
Fax: +353 (0)1 835 2856

 **Easi UpLifts**
LIMITED

www.easiuplifts.com
Email: info@heightforhire.com

the access specialists

Your experienced partner in...
...powered access platforms.



- Large inventory of new machines from major manufacturers
- Machines supplied in the condition you want
- We make it easy and speak your language
- We offer OEM replacement parts for most brands
- A second to none after-sales service
- A designated division for aluminium scaffolds systems



The number 1 is
always on top!


PlatformSales
EUROPE

PlatformSales Europe • Maxwellstraat 50 • 3316 GP Dordrecht • The Netherlands

T. +31 78 65 217 65 • F. +31 78 65 217 60 • E. sales@platformsaleseurope.com • I. www.platformsaleseurope.com